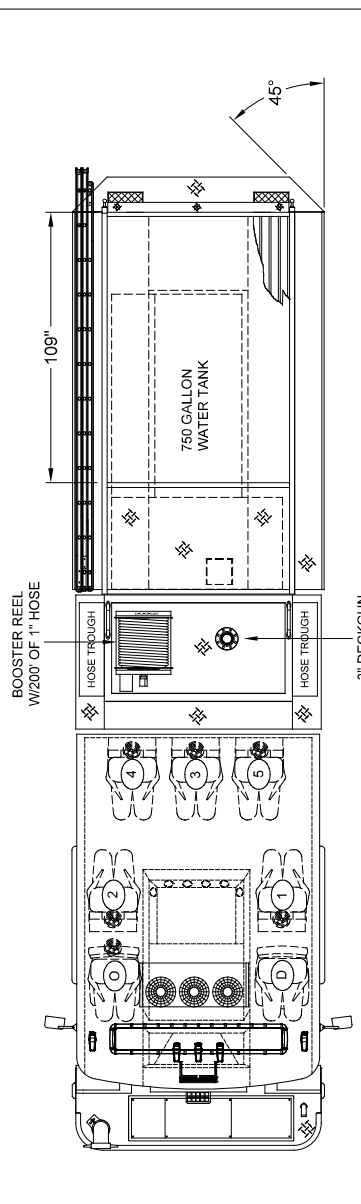
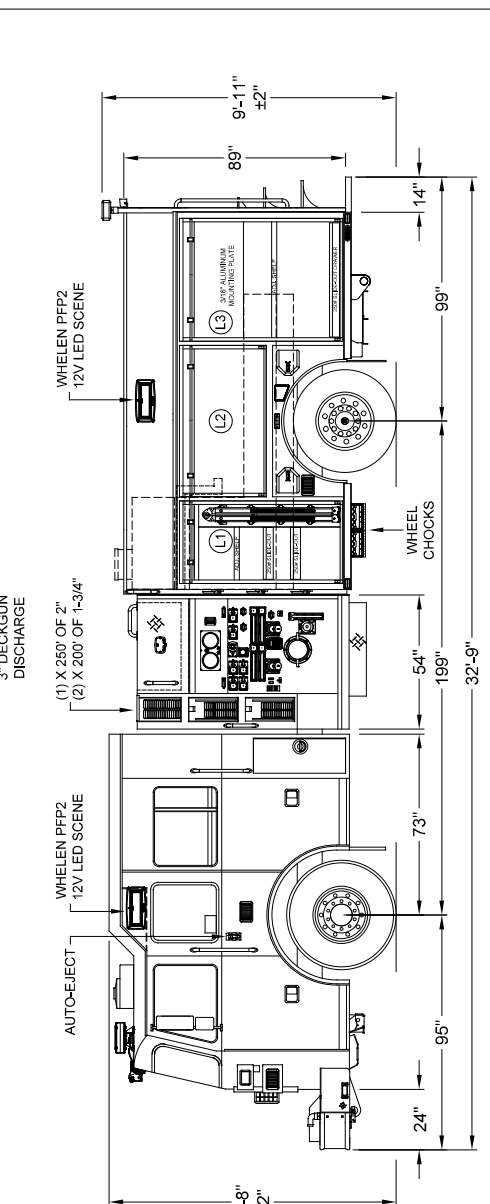
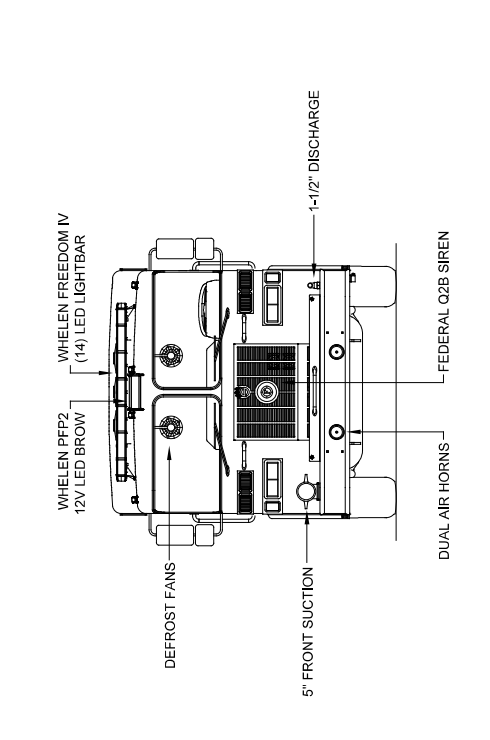


COMP	DOORS	OPENING DIMENSIONS	INSIDE DIMENSIONS	VOLUME
L1	ROLL UP	30\"/>		



COMP	DOORS	OPENING DIMENSIONS	INSIDE DIMENSIONS	VOLUME
A1	ROLL UP	37\"/>		



DIMENSIONS SHOWN ON THIS DRAWING ARE APPROXIMATE AND ARE SUBJECT TO MINOR DEVIATIONS DURING CONSTRUCTION.

IN THE EVENT OF A DISCREPANCY BETWEEN THE SUTPHEN SPECIFICATIONS AND DRAWING, THE SUTPHEN SPECIFICATIONS SHALL PREVAIL.

DRAWINGS FOR REFERENCE ONLY, SOME ITEMS PROPOSED MAY NOT BE SHOWN OR NOTED.

CUSTOMER APPROVAL

NAME: \_\_\_\_\_

TITLE: \_\_\_\_\_

DATE: \_\_\_\_\_

POST-PRODUCTION REVISION TO REFLECT FINAL PRODUCT

CUSTOMER: R3 ADJUSTABLE SHELF MADE SHALLOW; SHORELINE OUTLET ADDED TO L3 AND R3

DIVIDER / WALL ADDED BETWEEN R3 AND A1 TO MAKE THEM INDIVIDUAL COMPARTMENTS

DETAILS AND DIMENSIONS ADDED FOR CUSTOMER SUPPLIED KNOX BOX AND REMOTE RADIO HEAD

DESCRIPTION: \_\_\_\_\_

REV. \_\_\_\_\_

THIS PRINT IS PROVIDED ON A RESTRICTED BASIS AND IS NOT TO BE USED IN ANY WAY DETRIMENTAL TO THE INTEREST OF SUTPHEN CORPORATION.

**SUTPHEN**  
VERDORY FIRE DEPARTMENT  
LATHAM, NEW YORK

DRAWN BY:	R. MILLER
DATE:	01/17/18
WEG. FACILITY:	DUBLIN
REV. NO.:	HS-6174

RM	01/10/19	RM	12/05/18
RM	11/02/18	RM	07/06/18

TOTAL STORAGE: 159 CU. FT.