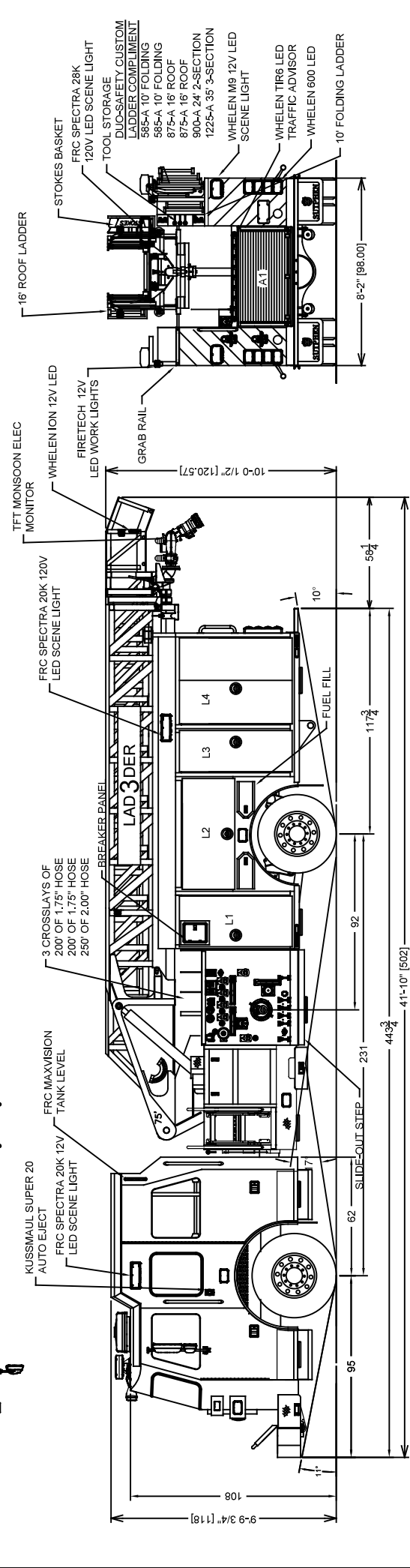
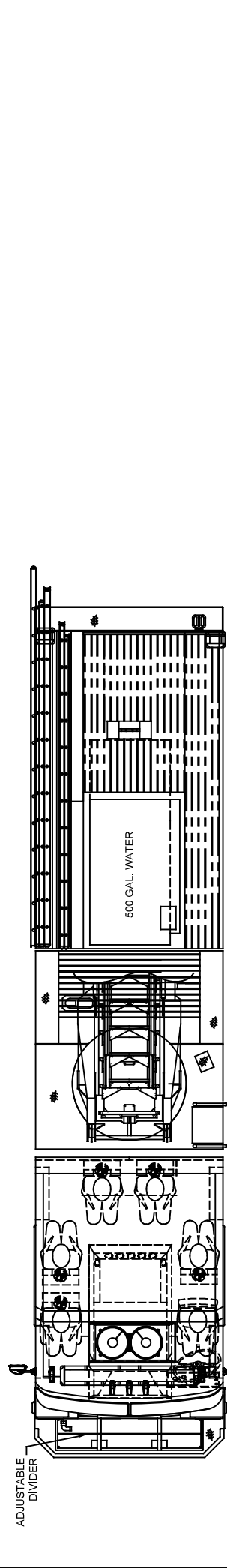
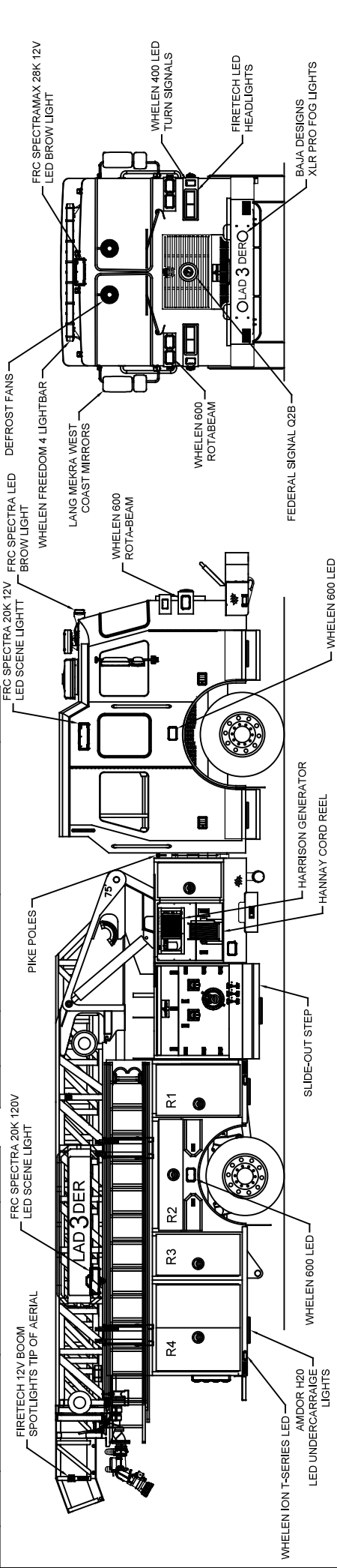


COMP.	DOORS	OPENING DIMENSIONS	INSIDE DIMENSIONS	VOLUME
R1	HINGED	22.75"W x 53.00"H	28.75"W x 59.00"H x 17.75"D	18.02 CU. FT.
R2	HINGED	51.50"W x 24.00"H	60.00"W x 28.25"H x 17.75"D	17.41 CU. FT.
R3	HINGED	17.75"W x 53.00"H	24.75"W x 59.00"H x 17.75"D	14.89 CU. FT.
R4	HINGED	42.00"W x 35.00"H	47.25"W x 50.00"H x 17.75"D	26.83 CU. FT.
	ROLL-UP	44.50"W x 20.50"H	53.00"W x 28.75"H x 17.75"D	43.97 CU. FT.
TOTAL VOLUME				

COMP.	DOORS	OPENING DIMENSIONS	INSIDE DIMENSIONS	VOLUME
R1	HINGED	22.75"W x 39.00"H	28.75"W x 45.00"H x 22.75"D	17.62 CU. FT.
R2	HINGED	50.00"W x 52.50"H	60.00"W x 14.00"H x 22.75"D	11.05 CU. FT.
R3	HINGED	17.75"W x 39.00"H	22.75"W x 45.00"H x 22.75"D	13.47 CU. FT.
R4	HINGED	42.00"W x 35.00"H	47.25"W x 48.00"H x 22.75"D	27.99 CU. FT.
TOTAL VOLUME				



CUSTOMER APPROVAL

NAME: _____ TITLE: _____ DATE: _____

REVISIONS:

REV.	DESCRIPTION	DATE	BY
C/O	CHANGED RUB RAIL LIGHTS FROM 500S TO 100S	9/19/2021	CAM

DESCRIPTION: HILLIARD

DRAWN BY: APF DATE: 04/21/2021

MFG. FACILITY: HILLIARD

SCALE: 1/8" = 1'-0"

SUTPHEN
CLAY FIRE DEPARTMENT
CLAY, NY

966-162
SUTPHEN
HIS-7152

THIS PRINT IS PROVIDED ON A RESTRICTED BASIS AND IS NOT TO BE USED IN ANY WAY DETRIMENTAL TO THE INTEREST OF SUTPHEN CORPORATION.