

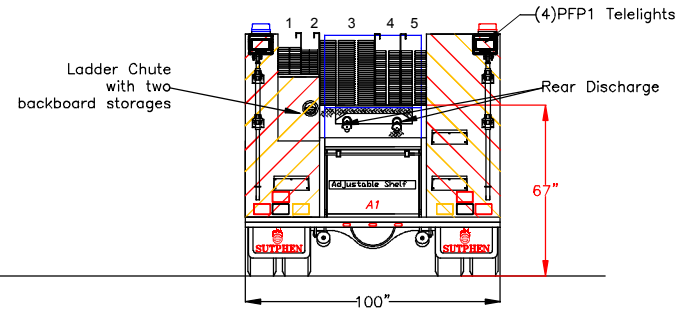
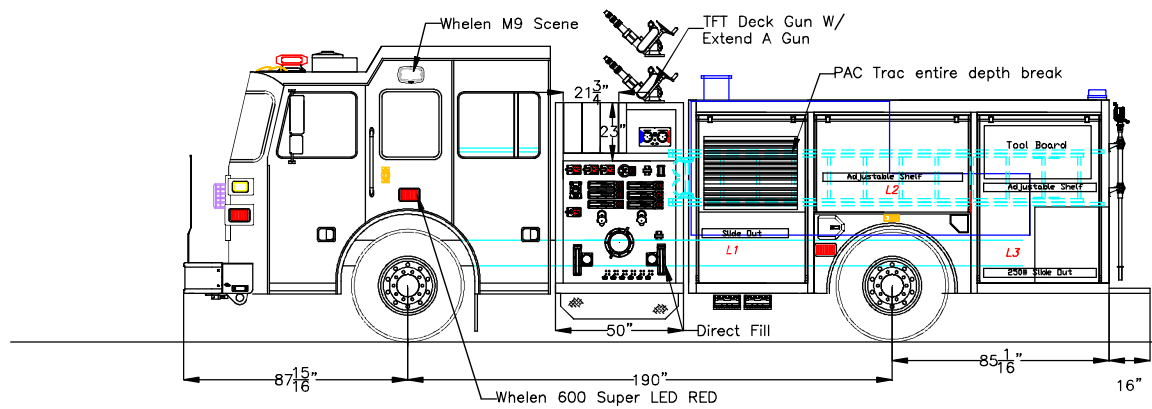
LEFT SIDE COMPARTMENTS		
COMPT	DOORS	APPROX. INSIDE DIMENSIONS
L1	Rollup	48"W x 72"H x 29"D (12"D UPPERS)
L2	Rollup	61.5"W x 42"H x 12"D
L3	Rollup	53"W x 72"H x 29"D (12"D UPPERS)

RIGHT SIDE COMPARTMENTS		
COMPT	DOORS	APPROX. INSIDE DIMENSIONS
R1	Rollup	48"W x 72"H x 29"D
R2	Rollup	61.5"W x 42"H x 29"D
R3	Rollup	53"W x 72"H x 29"D

REAR STEP COMPARTMENT		
COMPT	DOORS	APPROX. INSIDE DIMENSIONS
A1	Roll-Up	42"W x 40"H x 29"D

Hale QMax 1500 GPM Pump Single Stage
750 Gal Water Tank

- Hose Load
- 1:300ft of 2 1/2"-white
- 2:300ft of 1 3/4"-Green
- 3:600ft of 4"-Yellow
- 4:300ft of 2 1/2"-white
- 5:300ft of 2 1/2"



DIMENSIONS SHOWN ON THIS DRAWING ARE APPROXIMATE AND ARE SUBJECT TO MINOR DEVIATIONS DURING CONSTRUCTION.

IN THE EVENT OF A DISCREPANCY BETWEEN THE SUTPHEN SPECIFICATIONS AND DRAWING, THE SUTPHEN SPECIFICATIONS SHALL PREVAIL.

DRAWING IS FOR REFERENCE ONLY. SOME ITEMS PROPOSED MAY NOT BE SHOWN OR NOTED.

CUSTOMER APPROVAL

NAME: _____

TITLE: _____

DATE: _____

A	Pre-Con	SED	4/16/15
REV.	Description	BY	Date

Drawn By:
S. Dorfman

Date:
6/25/2014

MFG Plant:
White Lake, NY

SCHENECTADY, NY ENGINE 1
PRODUCTION DRAWING
Aluminum-Single Axle

5664