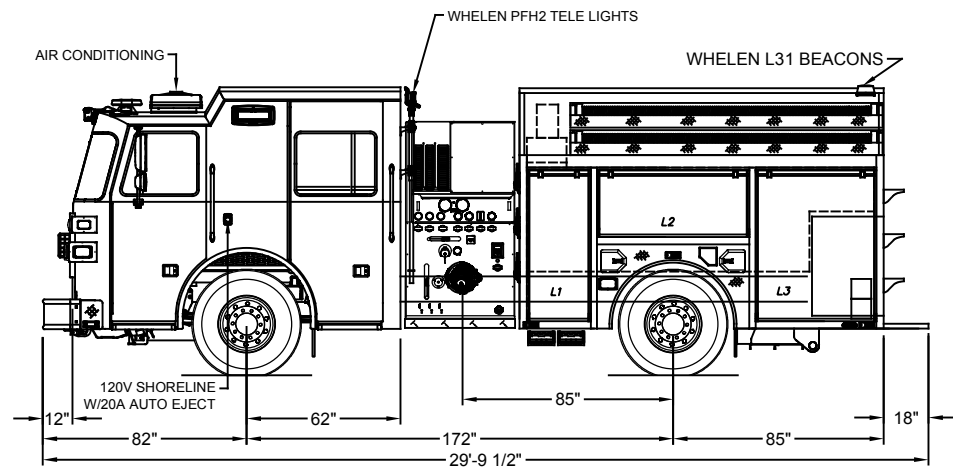
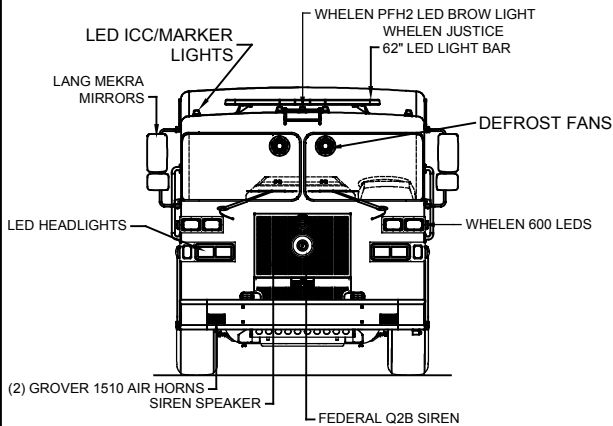
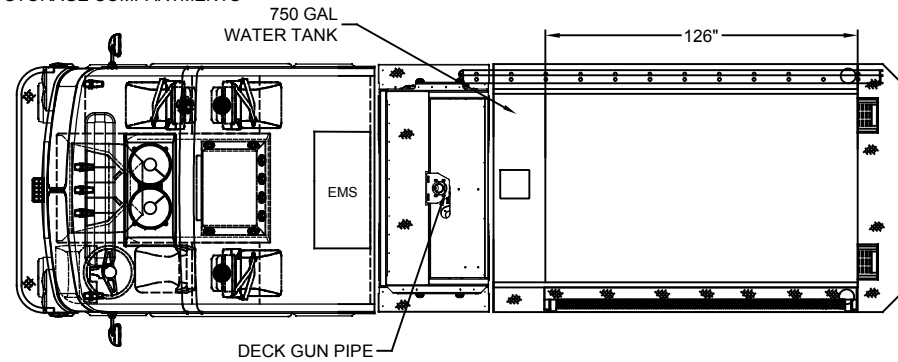


Left Side Compartmentation				
Comp	Doors	Opening Dimensions	Inside Dimensions	Volume
L1	Roll Up	23x58	30x6x27.25	31.2 CU FT
L2	Roll Up	57x22	64x32x27.25	32.3 CU FT
L3	Roll Up	46x58	53x6x27.25	55.2 CU FT
Right Side Compartmentation				
Comp	Doors	Opening Dimensions	Inside Dimensions	Volume
R1	Roll Up	23x50	30x6x27.25	28.4 CU FT
R2	Roll Up	57x16	64x26x27.25	28.2 CU FT
R3	Roll Up	46x50	53x6x27.25	50.1 CU FT
Rear Compartmentation				
Comp	Doors	Opening Dimensions	Inside Dimensions	Volume
A1	Roll Up	37x30	42x40x26.25	25.5 CU FT
Hale Qmax 1500 single stage				Total Volume
				249.0 CU Ft



DIMENSIONS SHOWN ON THIS DRAWING ARE APPROXIMATE AND ARE SUBJECT TO MINOR DEVIATIONS DURING CONSTRUCTION.	CUSTOMER APPROVAL			DRAWN BY: S. DORFMAN	DATE: 11/12/19	MFG. FACILITY: EAST	
	NAME:						
IN THE EVENT OF A DISCREPANCY BETWEEN THE SUTPHEN SPECIFICATIONS AND DRAWING, THE SUTPHEN SPECIFICATIONS SHALL PREVAIL.	TITLE:	B	ADD CAB SCENE LIGHTS	SED	11/1/19		PROGRAM 2 ALUMINUM PUMPER- S4 BODY
DRAWING IS FOR REFERENCE ONLY. SOME ITEMS PROPOSED MAY NOT BE SHOWN OR NOTED.	DATE:	A	CHANGES FROM PRE-CON	SED			DWG. NO.: HS-6612
		REV.	DESCRIPTION	BY	DATE	THIS PRINT IS PROVIDED ON A RESTRICTED BASIS AND IS NOT TO BE USED IN ANY WAY DETRIMENTAL TO THE INTEREST OF SUTPHEN CORPORATION.	