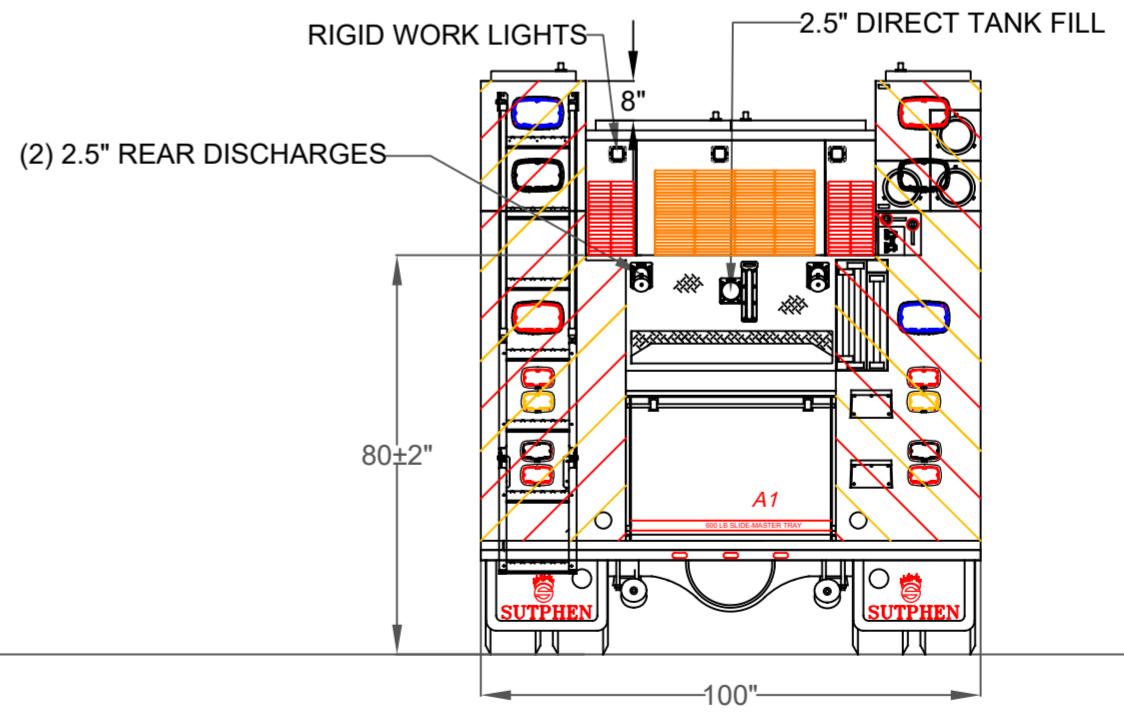
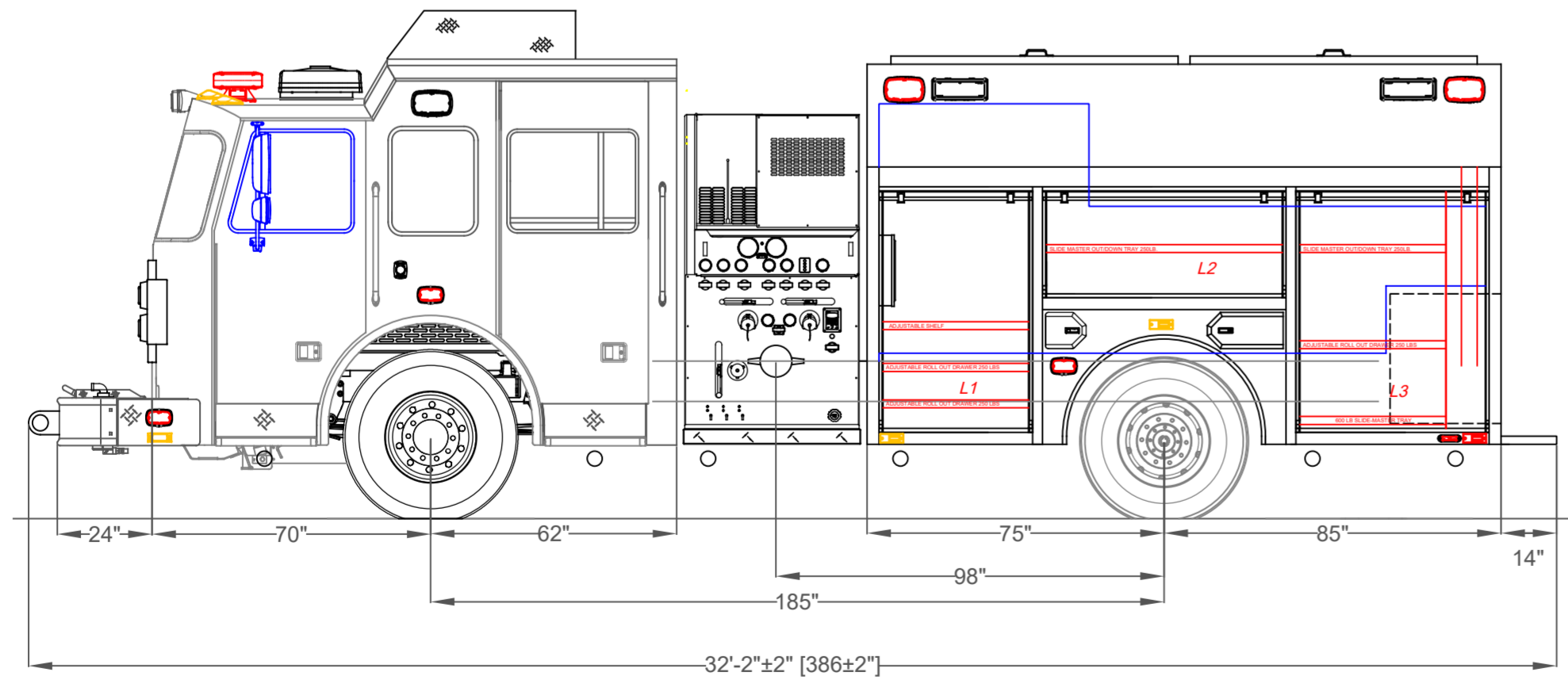


Hose Load
 1:250ft of 2.5"
 2:750ft of 5"
 3:250ft of 2.5"

| Left Side Compartmentation | | | | |
|-----------------------------|---------|--------------------|-------------------|------------|
| Compt | Doors | Opening Dimensions | Inside Dimensions | Volume |
| WxHxD | | | | |
| L1 | Roll Up | 36x56 | 43x66x27.25 | 44.8 CU FT |
| L2 | Roll Up | 57x22 | 64x32x27.25 | 32.3 CU FT |
| L3 | Roll Up | 46x56 | 53x66x27.25 | 55.2 CU FT |
| Right Side Compartmentation | | | | |
| Compt | Doors | Opening Dimensions | Inside Dimensions | Volume |
| R1 | Roll Up | 36x56 | 43x66x27.25/16.25 | 31.9 CU FT |
| R2 | Roll Up | 57x22 | 64x32x16.25 | 19.3 CU FT |
| R3 | Roll Up | 46x56 | 53x66x27.25/16.25 | 39.4 CU FT |
| Rear Compartmentation | | | | |
| Compt | Doors | Opening Dimensions | Inside Dimensions | Volume |
| A1 | Roll Up | 38x30 | 42x40x26.25 | 25.5 CU FT |
| Coffin Compartmentation | | | | |
| Compt | Doors | Opening Dimensions | Inside Dimensions | Volume |
| LxHxW | | | | |
| LH | Hatch | (2) 72.5x17 | 160x26x21 | 50.6 CU FT |
| RH | Hatch | (2) 72.5x17 | 160x26x21 | 50.6 CU FT |

Hale Qmax 1500 single stage
Water Tank Capacity 1000 gal
 Total Volume 349.4 CU FT



DIMENSIONS SHOWN ON THIS DRAWING ARE APPROXIMATE AND ARE SUBJECT TO MINOR DEVIATIONS DURING CONSTRUCTION.
 IN THE EVENT OF A DISCREPANCY BETWEEN THE SUTPHEN SPECIFICATIONS AND DRAWING, THE SUTPHEN SPECIFICATIONS SHALL PREVAIL.
 DRAWING IS FOR REFERENCE ONLY. SOME ITEMS PROPOSED MAY NOT BE SHOWN OR NOTED.

CUSTOMER APPROVAL
 NAME: *R BENNETT*
 TITLE: Chairman
 DATE: 12/27/19

| REV. | DESCRIPTION | BY | DATE |
|------|-------------|----|------|
| | | | |

THIS PRINT IS PROVIDED ON A RESTRICTED BASIS AND IS NOT TO BE USED IN ANY WAY DETRIMENTAL TO THE INTEREST OF SUTPHEN CORPORATION.

DRAWN BY: J. GORDON
 DATE: 11/26/2019
 MFG. FACILITY: SUTPHEN EAST LAKE ARIEL, PA
 DWG. NO.: SALES DRAWING

SUTPHEN EAST
 55 INNOVATION DRIVE
 LAKE ARIEL, PA
 1-844-776-2889

NORTH CREEK FIRE DISTRICT
 NORTH CREEK, NY

CUSTOM ALUMINUM PUMPER