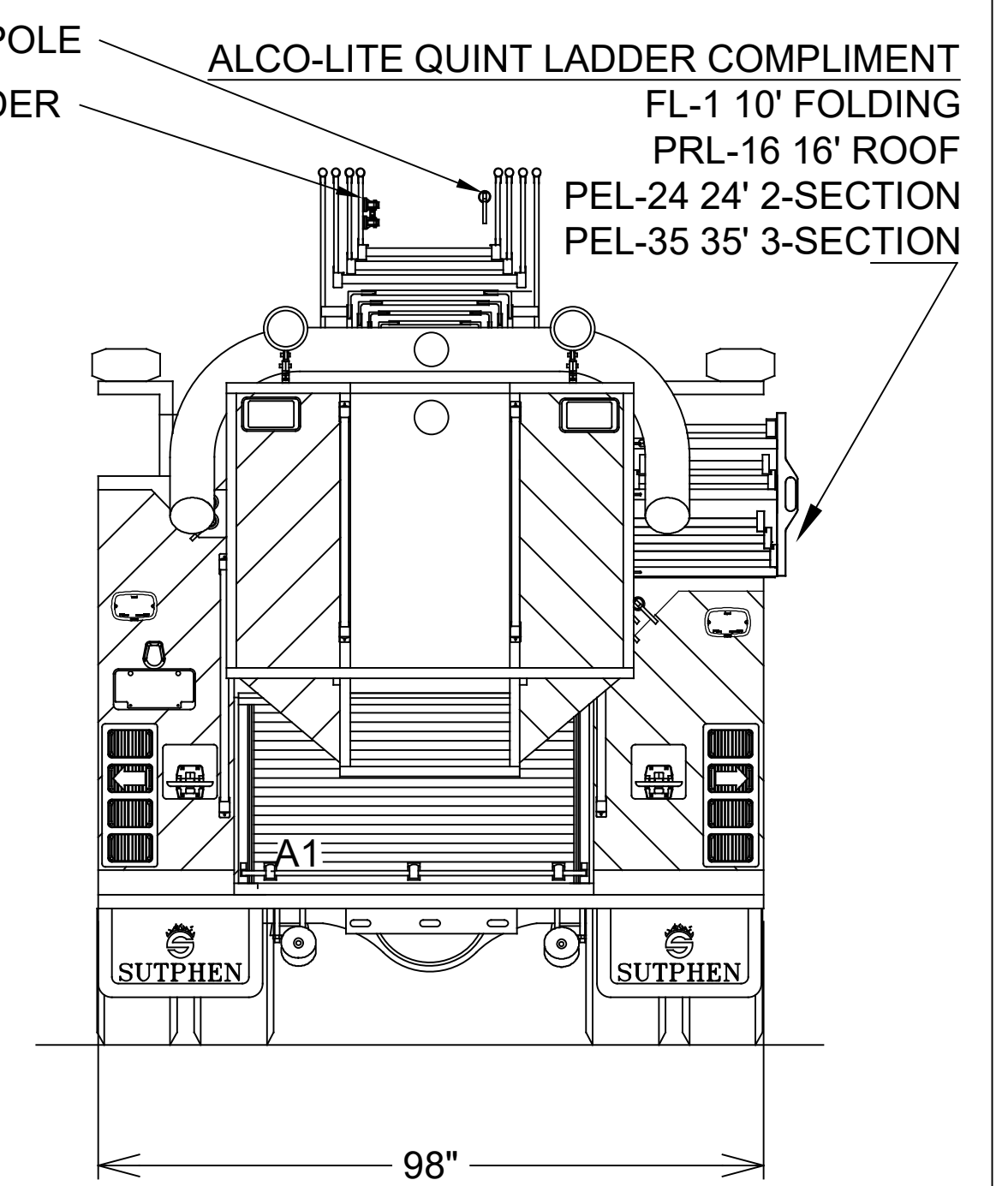
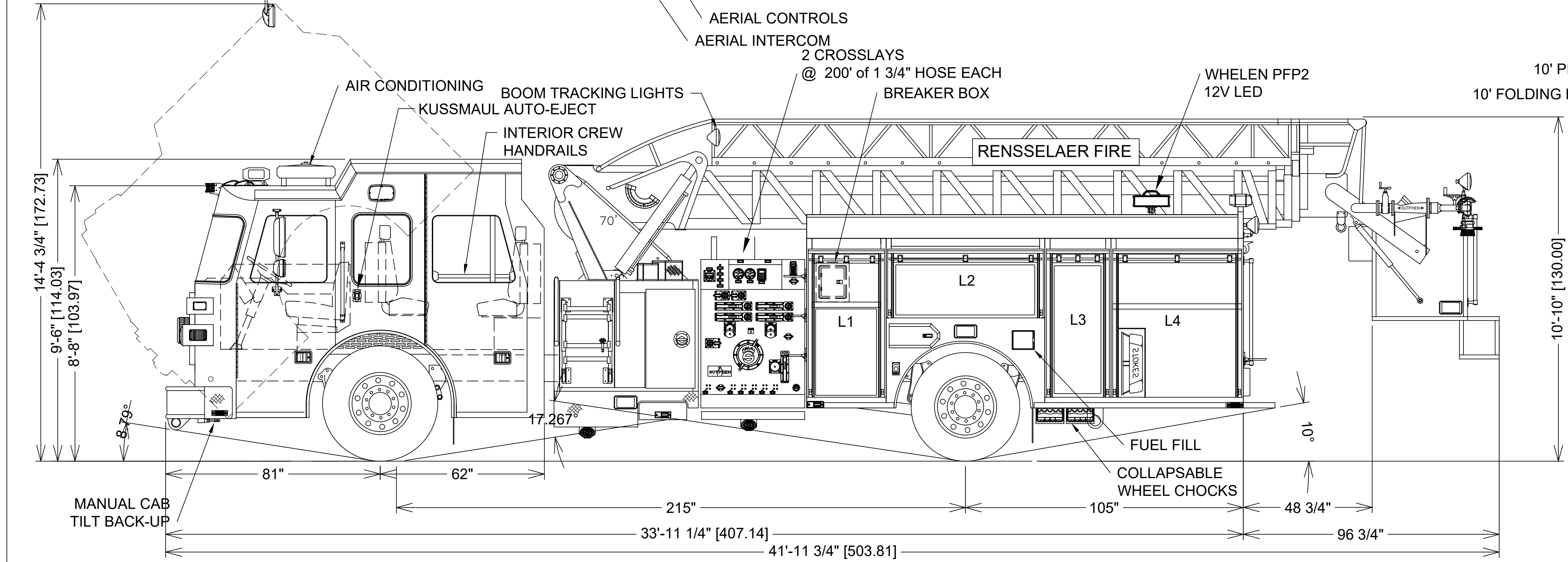
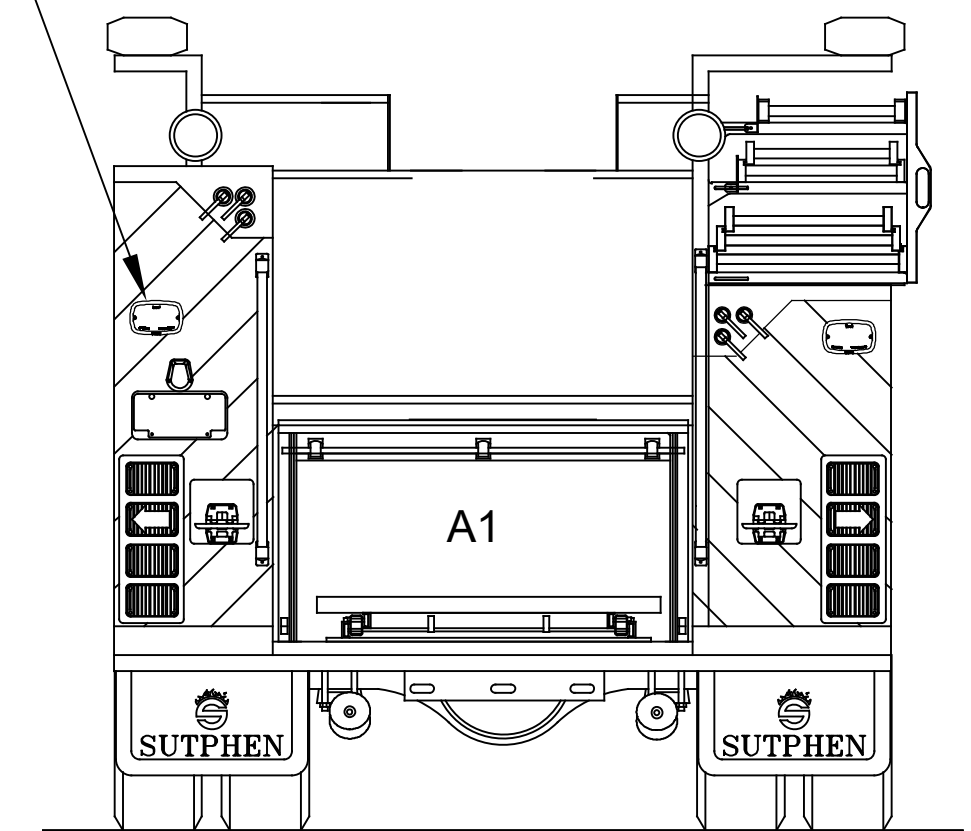
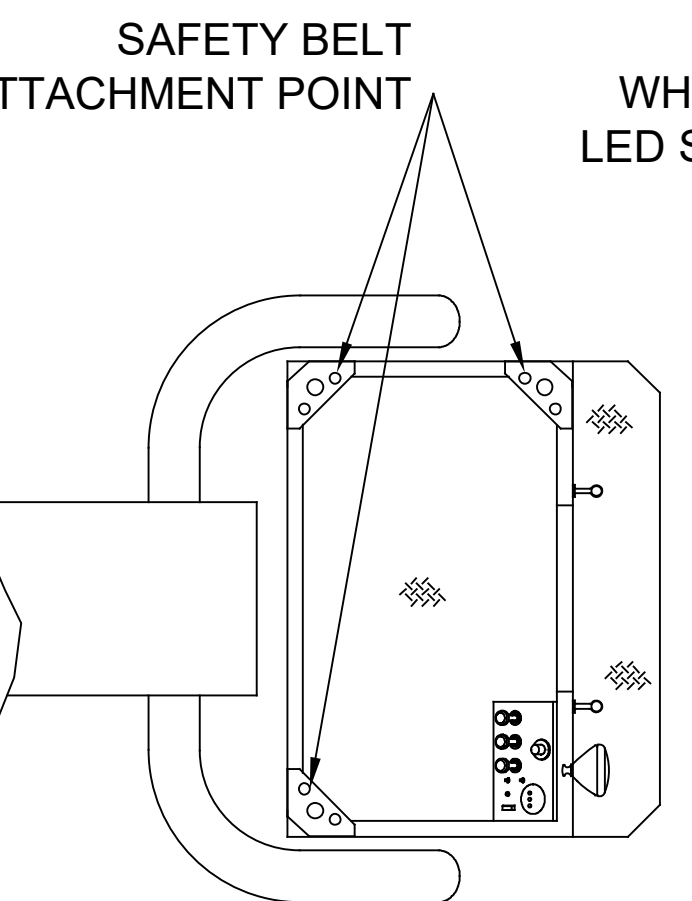
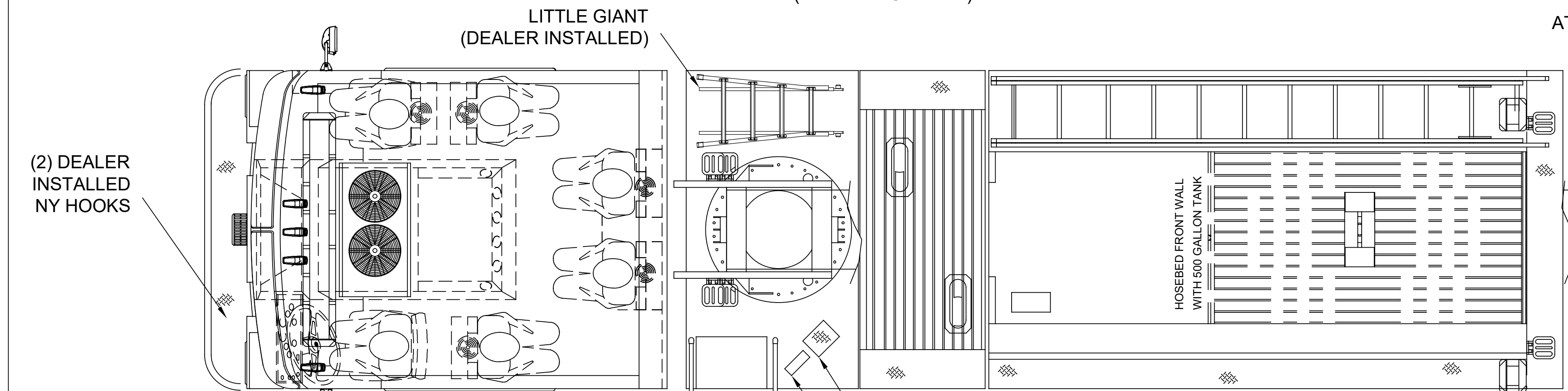
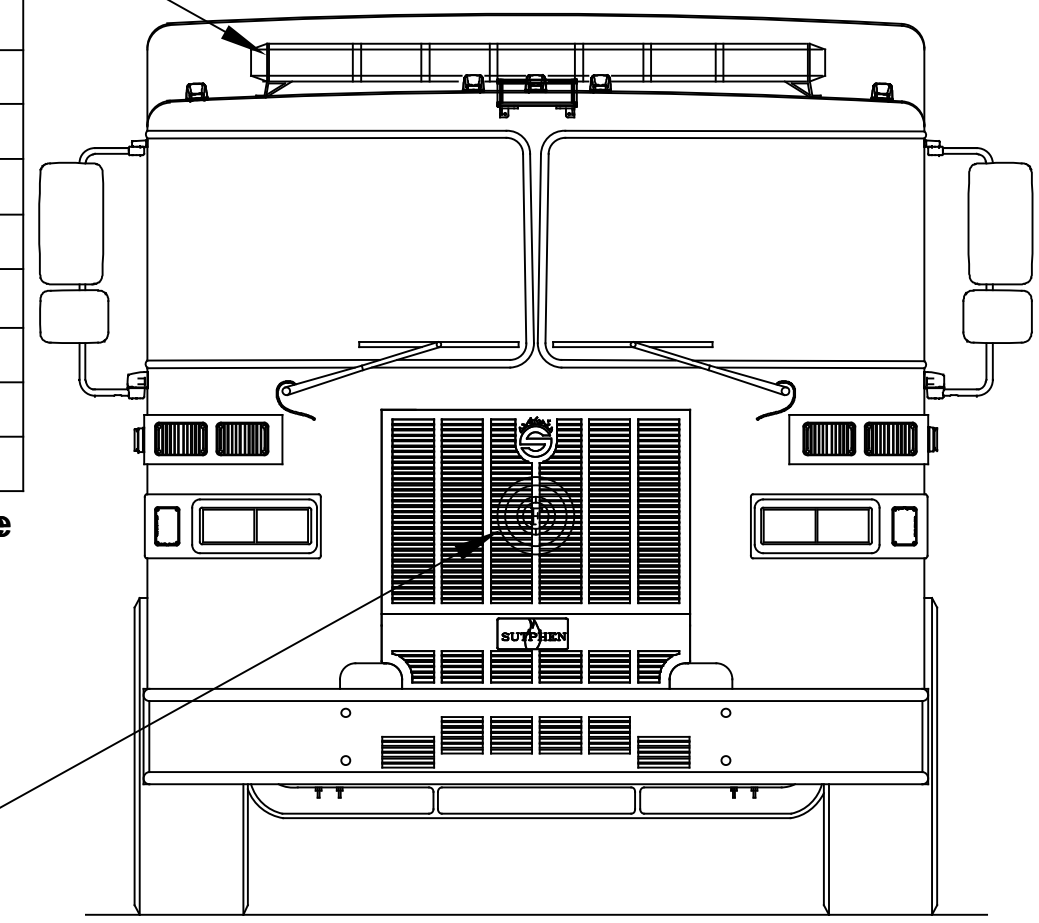


WHELEN FN72QLED LIGHTBAR

| COMP'T | DIMENSIONS |
|--------|--------------------|
| L1 | 30"W x 60"H x 20"D |
| L2 | 60"W x 30"H x 20"D |
| L3 | 36"W x 60"H x 20"D |
| L4 | 36"W x 60"H x 20"D |
| R1 | 30"W x 45"H x 25"D |
| R2 | 60"W x 15"H x 25"D |
| R3 | 25"W x 45"H x 25"D |
| R4 | 50"W x 45"H x 25"D |
| A1 | 53"W x 30"H x 40"D |

127 cubic feet of compartment space

2 crosslays of 300 of 1 3/4" each
500 gallon tank
Quint ground ladders



| REV | BY | DATE | DESCRIPTION | REV | BY | DATE | DESCRIPTION |
|-----|----|------|-------------|-----|----|------|-------------|
| | | | | | | | |

The undersigned approves this data for construction in accordance with any changes indicated on these drawings.

APPROVED BY: _____ DATE: _____
(Authorized Fire Department Representative)

SALES REPRESENTATIVE: _____ DATE: _____

Proprietary data is included in the information disclosed herein and is the sole property of SUTPHEN TOWERS INCORPORATED. This information is submitted in confidence and neither this document nor the information disclosed herein shall be reproduced or transferred to other documents or disclosed to others for manufacturing or for any other purpose except as specifically authorized in writing by SUTPHEN TOWERS INCORPORATED.

DRN BY: JRG DATE: 2011Jan03
CHKD BY: _____ DATE: _____

SUTPHEN TOWERS INCORPORATED
4500 SUTPHEN COURT HILLIARD, OHIO 43026 (614)876-1262 (614)876-3073 (FAX)

RENSSELAER FIRE DEPARTMENT
RENSSELAER, NY
MINI-TOWER BY PLATFORM (NORMAL PROFILE)
RESCUE BODY, LEFT HIGH SIDE, RIGHT LOW SIDE

SIZE: C SCALE: NTS DWG NO.: HS-5076 REV: -

SHEET 1 OF 1