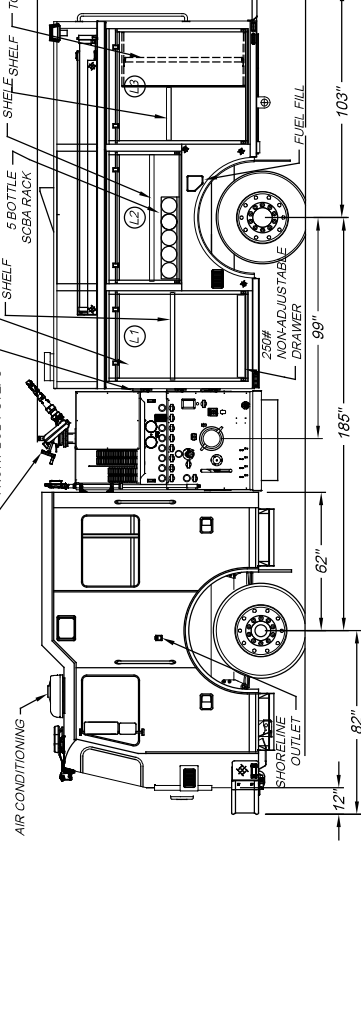
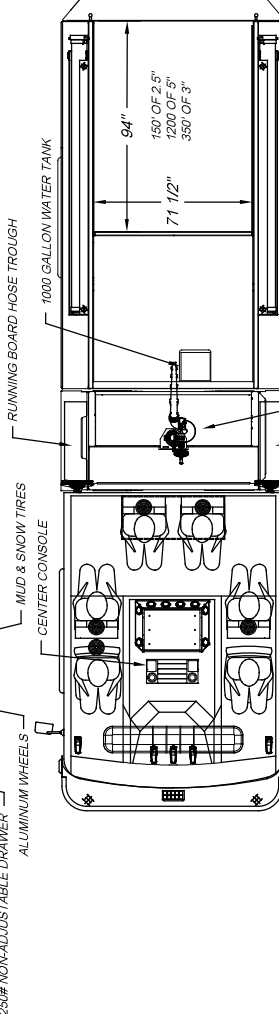
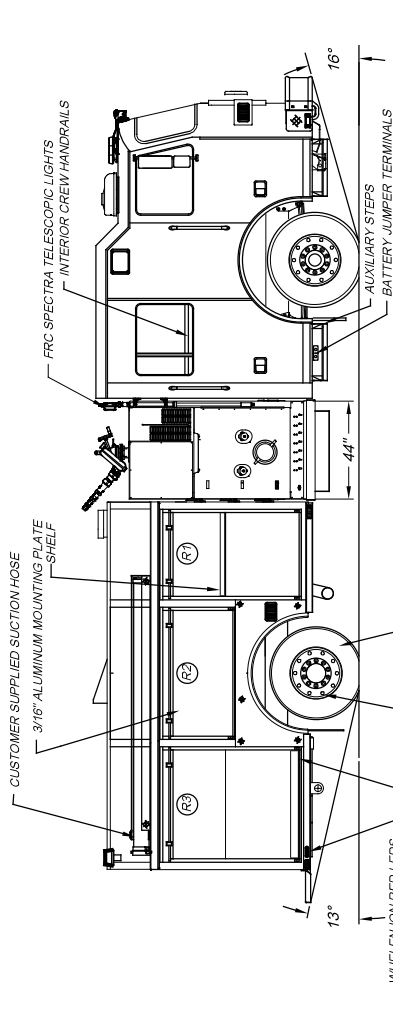
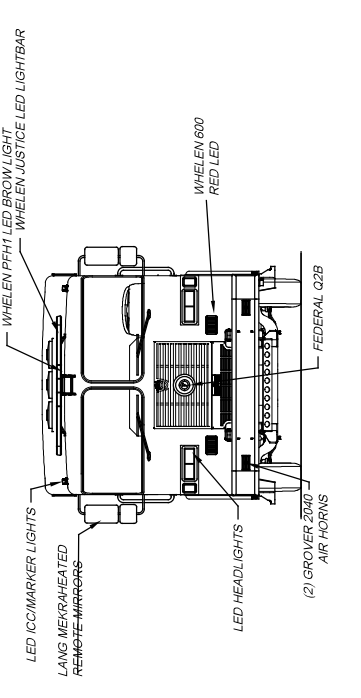


LEFT SIDE COMPARTMENTATION		
COMP.	DOORS	VOLUME
L1	ROLL-UP	37.0 CU. FT.
L2	ROLL-UP	28.0 CU. FT.
L3	ROLL-UP	47.4 CU. FT.
RIGHT SIDE COMPARTMENTATION		
COMP.	DOORS	VOLUME
R1	ROLL-UP	28.5 CU. FT.
R2	ROLL-UP	13.7 CU. FT.
R3	ROLL-UP	36.0 CU. FT.
REAR STEP COMPARTMENT		
COMP.	DOORS	VOLUME
A1	ROLL-UP	31.2 CU. FT.



**CUSTOMER APPROVAL**

NAME: \_\_\_\_\_

TITLE: \_\_\_\_\_

DATE: \_\_\_\_\_

DIMENSIONS SHOWN ON THIS DRAWING ARE APPROXIMATE AND ARE SUBJECT TO MINOR DEVIATIONS DURING CONSTRUCTION.

IN THE EVENT OF A DISCREPANCY BETWEEN THE SPECIFICATIONS AND DRAWINGS, THE SUPPLIER SPECIFICATIONS SHALL PREVAIL.

DRAWINGS FOR REFERENCE ONLY. SOME ITEMS PROPOSED MAY NOT BE SHOWN OR NOTED.

REV.	DESCRIPTION	BY	DATE
C	UPDATED TO REV C SHOP ORDER	R.C.	7/14/21
B	UPDATED TO REV B SHOP ORDER	R.C.	6/14/21
A	UPDATED TO REV A SHOP ORDER	R.C.	6/11/21

THIS PRINT IS PROVIDED ON A RESTRICTED BASIS AND IS NOT TO BE USED IN ANY WAY DETRIMENTAL TO THE INTEREST OF SUTPHEN CORPORATION.

DRAWN BY: R. CAMPBELL  
DATE: 5/20/21  
MFG. FACILITY: URBANA PUMPER DIVISION  
PROGRAM: CUSTOM PUMPER #S-268

**SUTPHEN**  
TOWN OF PEULANI FIRE DISTRICT  
PEULANI MILLS, HI