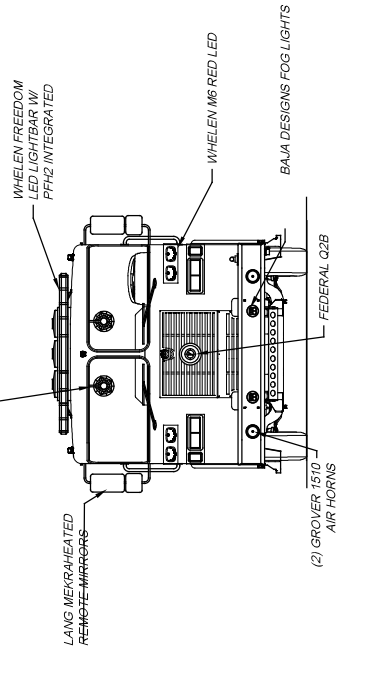


LEFT SIDE COMPARTMENTATION		VOLUME
COMPT	DIMENSIONS	
L1	40"W X 51 1/2"H X 26"D	26 CU. FT.
L2	59"W X 51 1/2"H X 26"D	40 CU. FT.
L3	51 1/2"W X 51 1/2"H X 26"D	40 CU. FT.
FULL HEIGHT, FULL DEPTH		
14 1/2" DEEP, UPPER		
FULL HEIGHT, FULL DEPTH		
RIGHT SIDE COMPARTMENTATION		VOLUME
COMPT	DIMENSIONS	
R1	40"W X 51 1/2"H X 26"D	26 CU. FT.
R2	59"W X 21 1/2"H X 14 1/2"D	11 CU. FT.
R3	51 1/2"W X 51 1/2"H X 26"D	40 CU. FT.
FULL HEIGHT, FULL DEPTH		
REAR STEP COMPARTMENT		VOLUME
COMPT	DIMENSIONS	
A1	39 1/2"W X 38"H X 31"D	27 CU. FT.
REAR CREW SEAT COMPARTMENT		VOLUME
COMPT	DIMENSIONS	
C1	47"W X 15 1/4"H X 18 1/2"D	8 CU. FT.
TOTAL STORAGE: 193 CU. FT.		



**SUTPHEN**  
 INLET VOLUNTEER HOSE CO  
 INLET, NY  
 PROGRAM / CUSTOMER, ST BODY  
 DWG. NO. AS-7133

DRAWN BY: A.ALEXANDER  
 DATE: 7/16/21  
 WGT. FACILITY: URBANA

REV. A  
 DESCRIPTION: UPDATED TO MATCH SHOP ORDER REV A  
 DATE: 2/8/22  
 BY: AA

CUSTOMER APPROVAL

NAME: \_\_\_\_\_  
 TITLE: \_\_\_\_\_  
 DATE: \_\_\_\_\_

DIMENSIONS SHOWN ON THIS DRAWING ARE APPROXIMATE AND ARE SUBJECT TO MINOR DEVIATIONS DURING CONSTRUCTION. IN THE EVENT OF A DISCREPANCY BETWEEN THE SUTPHEN SPECIFICATIONS SHALL PREVAIL. DRAWINGS US CS9 REFERENCE ONLY. SOME ITEMS PROPOSED MAY NOT BE SHOWN OR NOTED.

THIS PRINT IS PROVIDED ON A RESTRICTED BASIS AND IS NOT TO BE USED IN ANY WAY DETRIMENTAL TO THE INTERESTS OF SUTPHEN CORPORATION.