

CUSTOMER APPROVAL	IF NOT RETURNED TO FGFT BY THE DATE INDICATED BELOW, WE WILL PROCEED WITH FABRICATION AS PER THE DRAWING
SALES SIGNATURE:	
CUSTOMER SIGNATURE:	
DATE:	AUGUST 4, 2020
RETURN TO FGFT BY: DATE:	
REVIEWED BY:	
REVIEW DATE:	
ACCEPTED AS IS:	<input type="checkbox"/>
ACCEPTED WITH REVISION NOTED:	<input type="checkbox"/>
REVISE AS NOTED AND RE-SUBMIT:	<input type="checkbox"/>

BODY TYPE: FORMED ALUMINUM
TANK TYPE: WET SIDE

DOC. NO. : E018-1 DRAWING TEMPLATE
REV. C 2017-02-05

SPECIFICATION

CHASSIS:
-INTERNATIONAL HV607 SBA REGULAR CAB
-64,000 LB GVWR; 18,000 LB FRONT / 46,000 LB REAR
-DIESEL ENGINE, CUMMINS L9 EPA 2017, 450HP
-AUTOMATIC TRANSMISSION, ALLISON 3000 EVS
-CHASSIS SUPPLIED ANTI ROLL STABILITY

PUMP:
-THIRD PARTY CERTIFICATION MEETING NFPA 1901-2016 EDITION

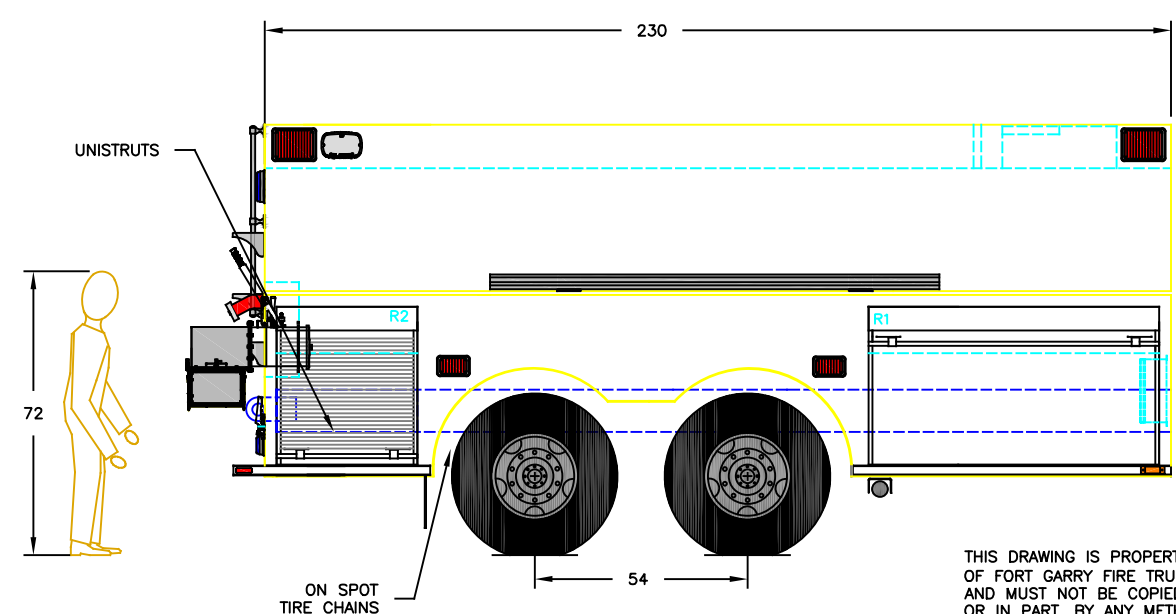
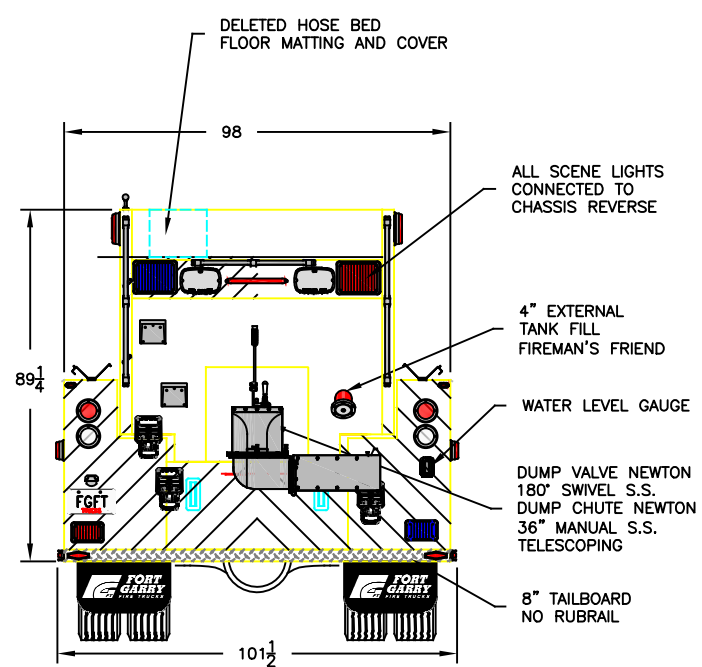
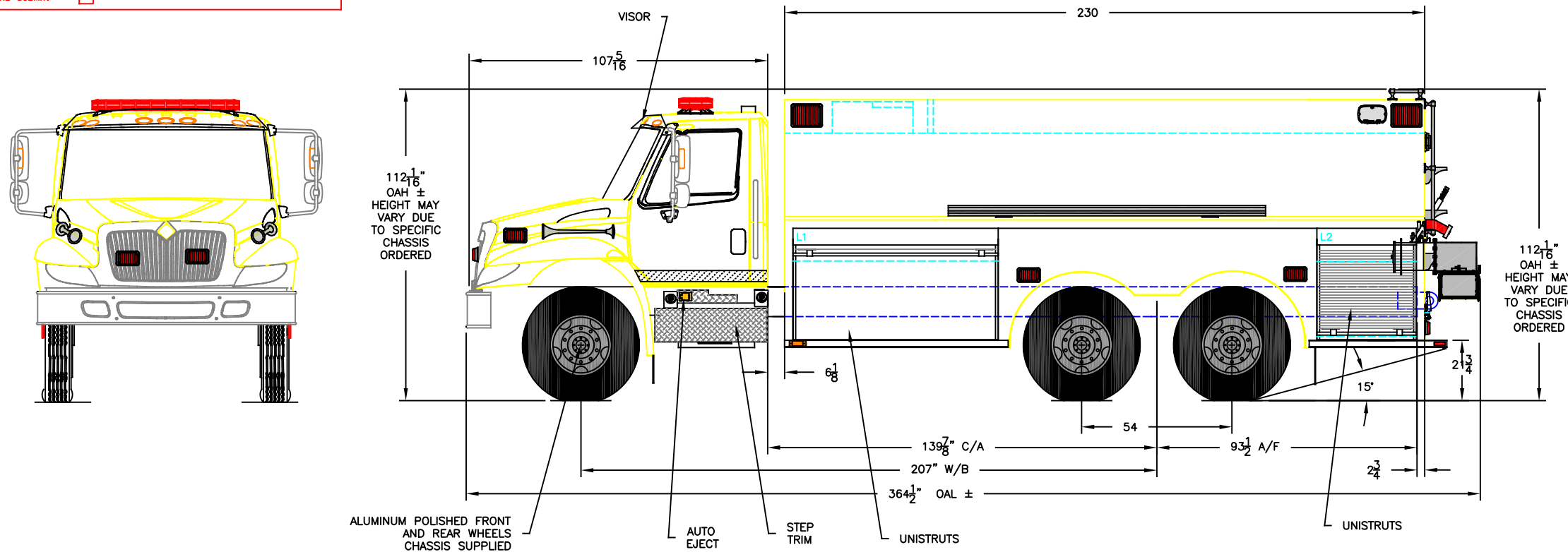
PLUMBING:
-1 x 4" STORZ EXTERNAL TANK FILL FIREMAN'S FRIEND, (1)REAR

TANK:
-3000 USG (2500 IG) WATER TANK

BODY:
-WET SIDE TANKER, FORMED ALUMINUM LOW/LOW

EMERGENCY EQUIPMENT/ACCESSORIES:
- LIGHT BAR 53" LED RED/WHITE
- SIREN CONTROL
- 100W SPEAKER
- 2 x GRILLE LIGHTS RED
- 4 x SIDE UPPER WARNING LIGHTS RED
- 6 x SIDE LOWER WARNING LIGHTS RED
- 2 x REAR UPP. WAR. LIGHTS RED/BLUE
- 2 x REAR LOW. WAR. LIGHTS RED/BLUE
- 4 x GROUND LIGHTS LED
- 4 x SCENE LIGHTS
- AIR CHARGING PROVISION
- BATTERY CHARGING PROVISION
- (2) ANTENNA MOUNT

MODEL:
FSC ALLEGIANT
SMART SIREN CEN COM
SAPPHIRE W/MIC
CODE3 C3100U
FSC QUADRAFLARE LED
FSC QUADRAFLARE 9x7 LED
FSC QUADRAFLARE 9x7 LED
FSC QUADRAFLARE 9x7 LED
FSC QUADRAFLARE LED
LUMA BAR H20-12"
WHELEN M9LZC LED
KUSSMAUL PUMP
PLUS 1200



THIS DRAWING IS PROPERTY OF FORT GARRY FIRE TRUCKS LTD (FGFT) AND MUST NOT BE COPIED OR REPRODUCED IN WHOLE OR IN PART, BY ANY METHOD WHATSOEVER, WITHOUT AUTHORIZATION OF FGFT.

COMPT.	COMPARTMENT FRAME DIMENSIONS
L1	74W x 40H x 13.5/26D
R1	74W x 40H x 13.5/26D
L2	36W x 40H x 13.5/26D
R2	36W x 40H x 13.5/26D

- NOTES:**
1. THE DRAWING IS FOR REFERENCE PURPOSE, ONLY. THE DRAWING MAY OR MAY NOT SHOW ALL ITEMS AS DESCRIBED IN THE WRITTEN DETAILED SPECIFICATION.
 2. INCLUSION OF AN ITEM ON THE DRAWING DOES NOT CONSTITUTE INCLUSION OF THAT ITEM WITH THE FINAL DELIVERY OF THE UNIT. SPECIFICATION SHALL BE FINAL AUTHORITY TO BE DETERMINED WHAT IS SUPPLIED ON THE APPARATUS.
 3. THE EFFECTIVE DOOR OPENING FOR ROLLUP DOORS WILL BE REDUCED APPROX. 10" IN HEIGHT, 2" IN DEPTH AND 2" IN WIDTH FROM SHOWN FRAME OPENINGS AND 2" IN HEIGHT, 3" IN DEPTH AND UP TO 4" IN WIDTH FOR PAN DOORS.
 4. PUMP RATING AND TANK CAPACITY ARE SHOWN AS NOMINAL VALUES. THE ACTUAL VALUES MAY VARY.
 5. CHASSIS GVWR SHOWN IS THE MINIMUM REQUIRED FOR STANDARD BODY DEPENDING OF OPTIONS, GVWR MAY NEED TO BE INCREASED.
 6. OEM CAB STEPS MAY NOT MEET ULC STANDARD. SELECT CUSTOM STEPS WHEN REQUIRED
 7. OVERALL HEIGHT IS IN LOADED CONDITION, UNLOADED HEIGHT MAY BE 4" ABOVE HEIGHT SHOWN. AFTER TRUCK IS COMPLETED ADDITIONAL STEPS MAY BE REQUIRED TO MEET THE STANDARD.
 8. DIMENSIONS SHOWN ARE APPROXIMATE AND ARE SUBJECT TO CHANGE AS MAY BE FOUND NECESSARY DURING DESIGN. DO NOT SCALE DRAWING.
 9. MINOR DETAILS AND REFLECTIVE STRIPING ARE NOT SHOWN.

B	CUSTOMER SIGN OFF DRAWING	TV	14 JUL 2020
A	CRM DRAWING		
REV	DESCRIPTION OF CHANGE	BY	DATE

FORT GARRY
FIRE TRUCKS
WWW.FGFT.COM
WINNIPEG, MANITOBA, CANADA 1-800-565-3473

DESCRIPTION:	ESPERANCE FD		
SCALE:	1:45	DWG. BY:	TV
		CHK. BY:	

MODEL:	CFTT25	SHEET:	1 OF 1
DATE:	03 MAR 2020	DWG. NO. :	J0138