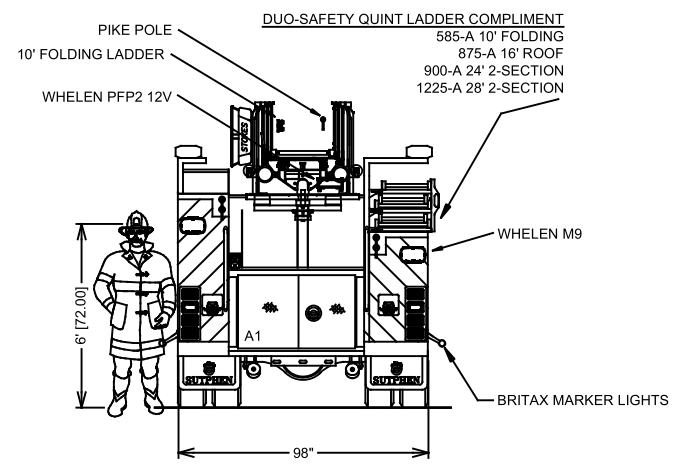
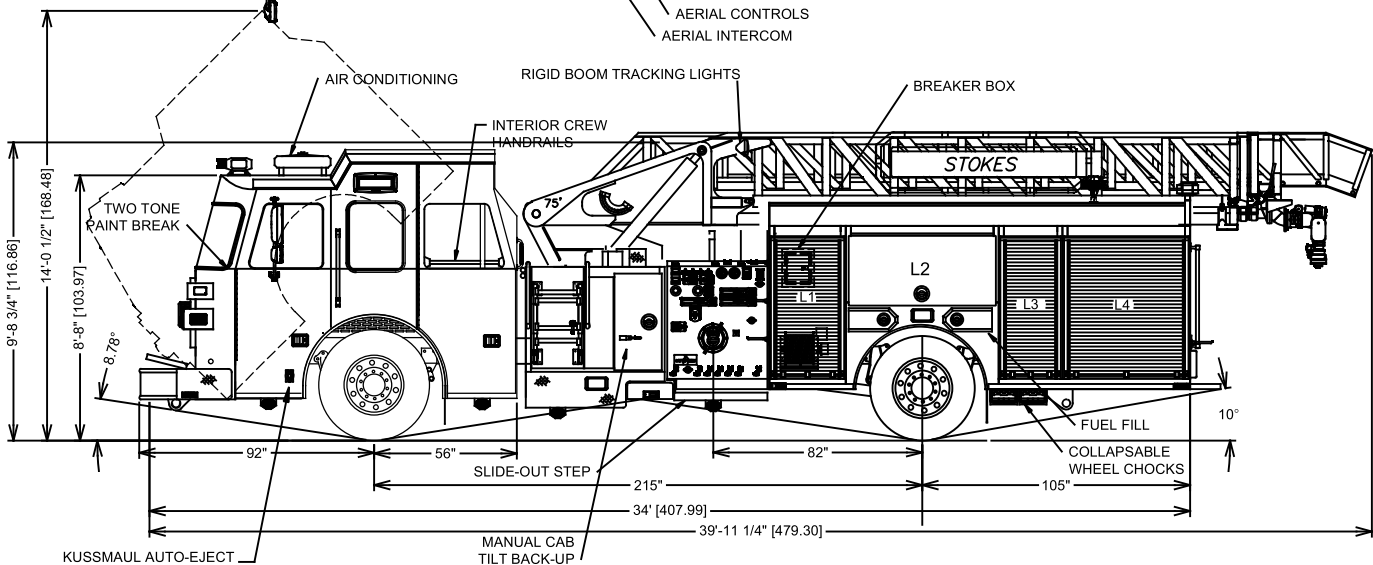
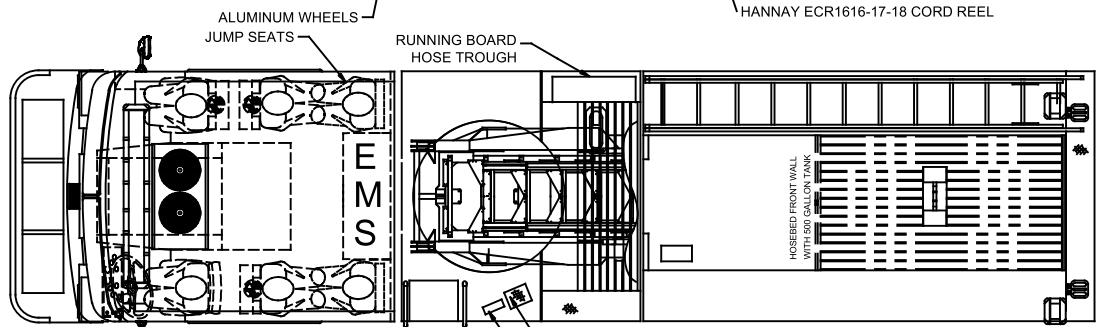
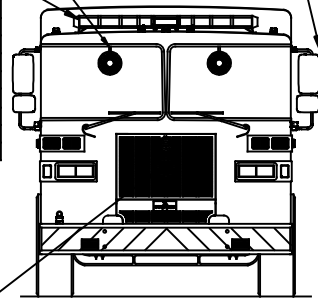


COMP'T	DIMENSIONS
L1	30"W x 60"H x 20"D
L2	60"W x 30"H x 20"D
L3	25"W x 60"H x 20"D
L4	50"W x 60"H x 20"D
R1	30"W x 45"H x 25"D
R2	60"W x 15"H x 25"D
R3	25"W x 45"H x 25"D
R4	50"W x 45"H x 25"D
A1	53"W x 30"H x 50"D

217 cubic feet of compartment space
500 gallon tank
Quint ground ladders



DIMENSIONS SHOWN ON THIS DRAWING ARE APPROXIMATE AND ARE SUBJECT TO MINOR DEVIATIONS DURING CONSTRUCTION.

IN THE EVENT OF A DISCREPANCY BETWEEN THE SUTPHEN SPECIFICATIONS AND DRAWING, THE SUTPHEN SPECIFICATIONS SHALL PREVAIL.

DRAWING IS FOR REFERENCE ONLY. SOME ITEMS PROPOSED MAY NOT BE SHOWN OR NOTED.

CUSTOMER APPROVAL

NAME: _____

TITLE: _____

DATE: _____

REV.	DESCRIPTION	BY	DATE
0.0	REVISION FOLLOWING PRE-CONSTRUCTION MEETING	CAM	4/21/2015

DRAWN BY: CAM
DATE: 04/02/2015
MFG. FACILITY: HILLIARD

SARATOGA SPRINGS FIRE DEPARTMENT
SARATOGA SPRINGS, NY

SL75
HS-5694